

Golf  
Ball  
**Scrub  
Tub**



**HOLLROCK ENGINEERING**

294 Russell Street

PO Box 378

Hadley, MA 01035

[www.HollrockGolfRange.com](http://www.HollrockGolfRange.com)

- DIRECTIONS FOR USE -
- ASSEMBLY INSTRUCTIONS -
- TROUBLE SHOOTING GUIDE -

**— DIRECTIONS FOR USE —**

- Place washer on level ground.
- Fill with water to overflow hole.
- Add desired amount of non-sudsing soap. If not available a low sudsing automatic dishwashing detergent, or Trisodium Phosphate (available at most hardware stores) may be substituted.
- Flush with hose to clean tub and change water. If balls are exceptionally dirty, a hose may be left trickling into the tub to replenish the water supply.
- To minimize corrosion, rinse and empty water when not in use.
- Store indoors after use.

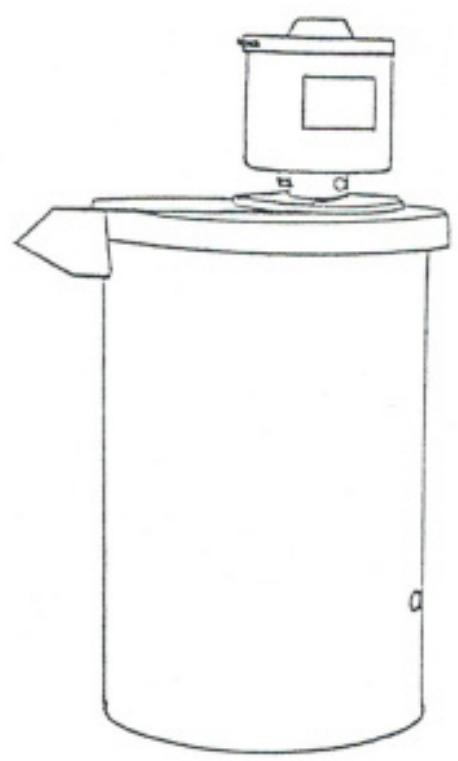
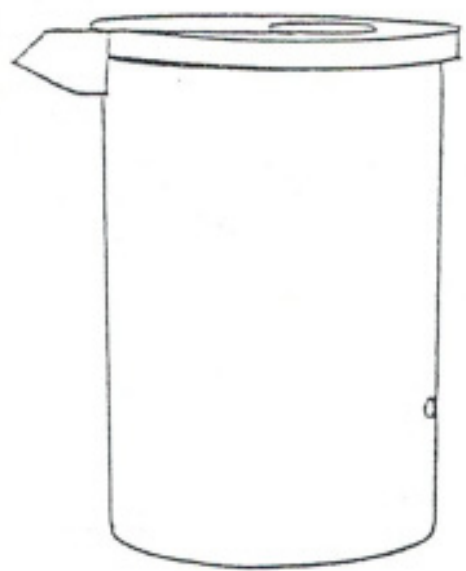
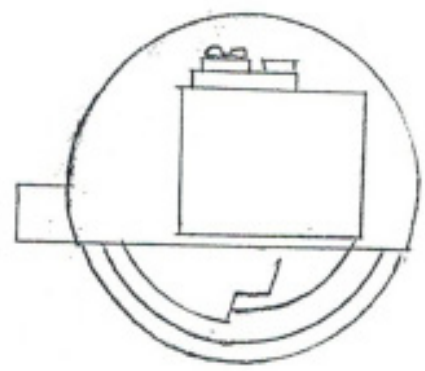
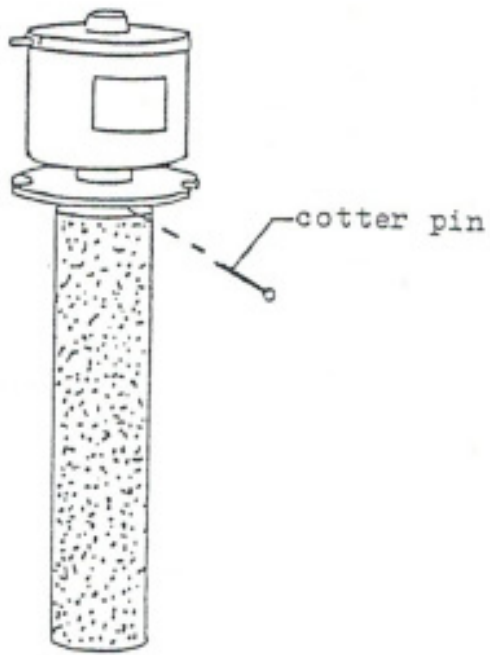
**— WARNING —**

- Keep motor dry.
- Use a 115 volt 3 prong power receptacle with electrical ground.
- Be sure brush and motor are in proper position before turning on. Motor shaft may be permanently damaged if not secured inside tub.
- Avoid prolonged storage in direct sunlight. Protect tank from high impact below 40°.

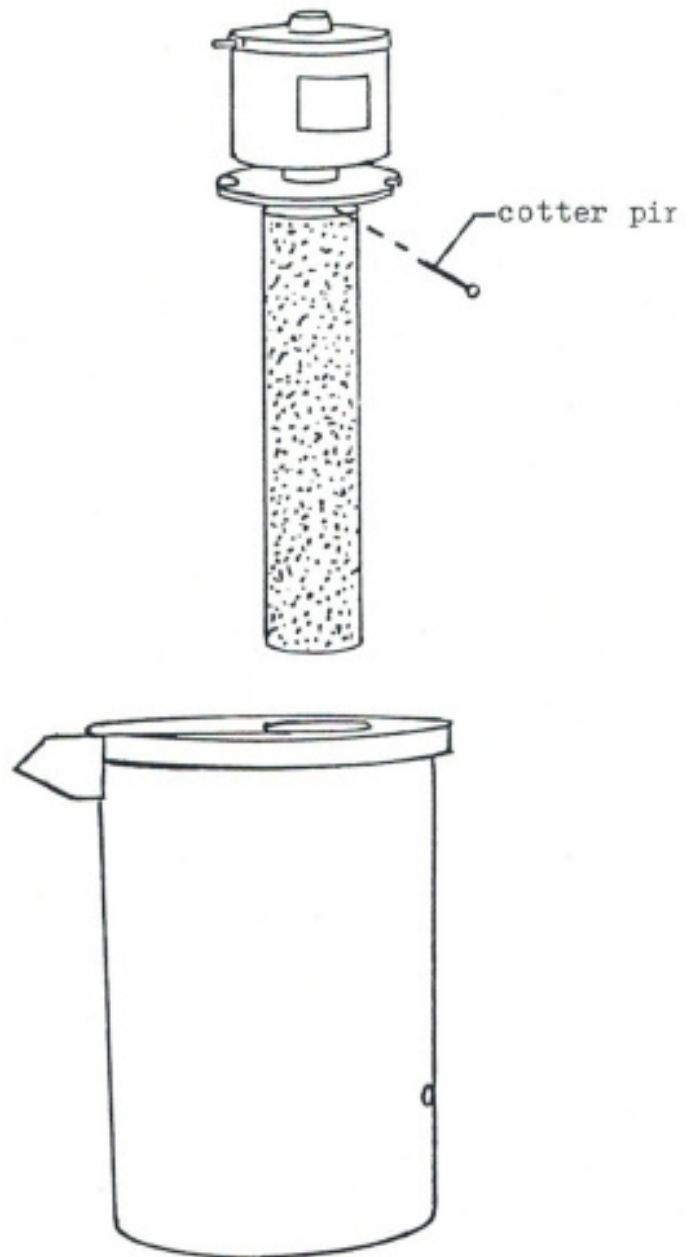
1. Apply lite oil or soap to the motor shaft. slip brush over motor shaft and line up the cotter pin holes. Insert the cotter Pin and bend out the ends.

2. Place brush into inner drum assembly. Lower brush bushing will slide over the bottom pin. Screw in the (2) motor bolts. Finger tight is more than sufficient.

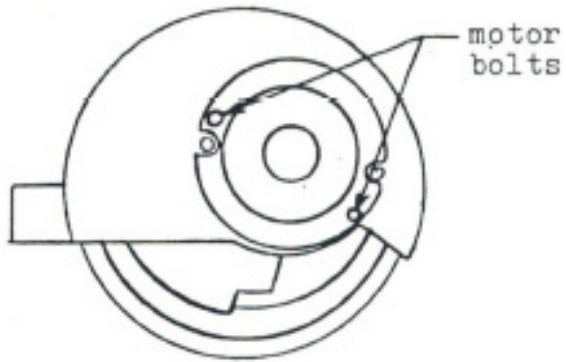
Note: Switch box should be on the left side, opposite the opening for the balls.



- ③. Lift motor and motor mounting plate up from Scrub Tub. Apply lite oil or soap to the motor shaft. Slip brush over motor shaft and line up cotter pin holes. Insert cotter pin and bend out the ends.



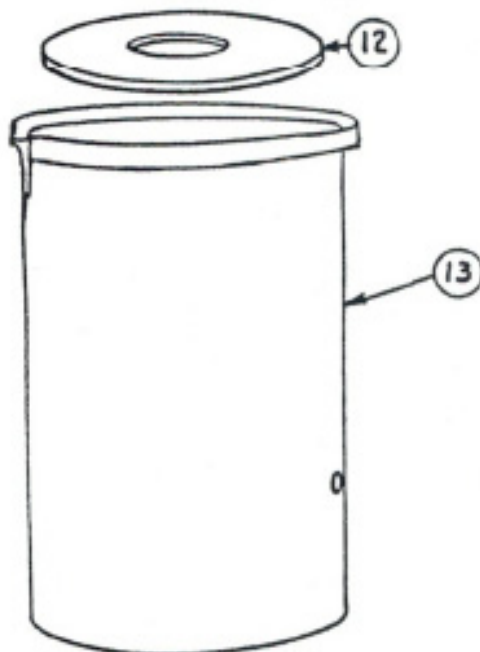
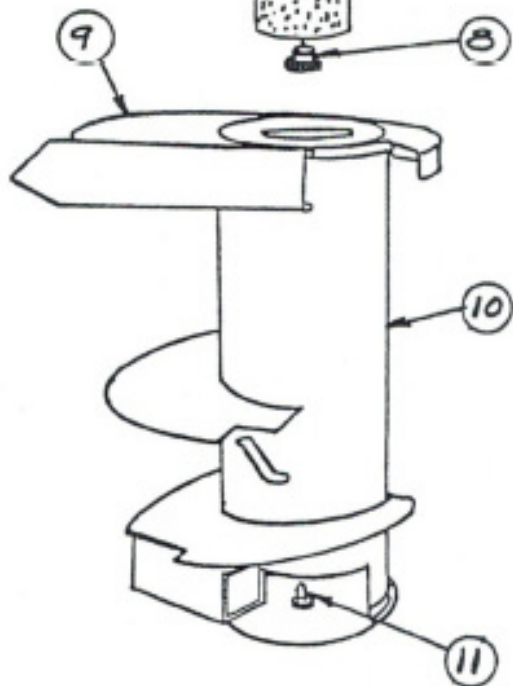
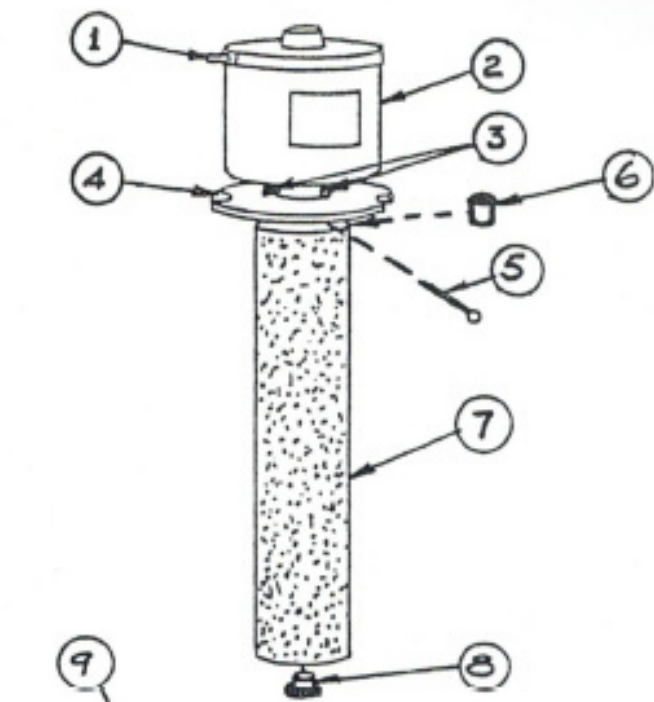
4. Place brush into inner drum assembly. Lower brush bushing will slide over the bottom pin. Screw in the (2) motor bolts. Finger tight is sufficient.



SCRUB TUB  
TROUBLE SHOOTING GUIDE

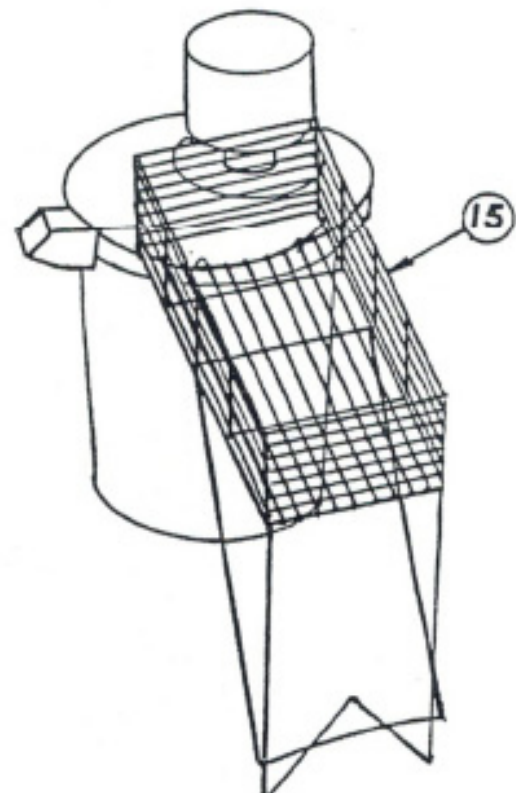
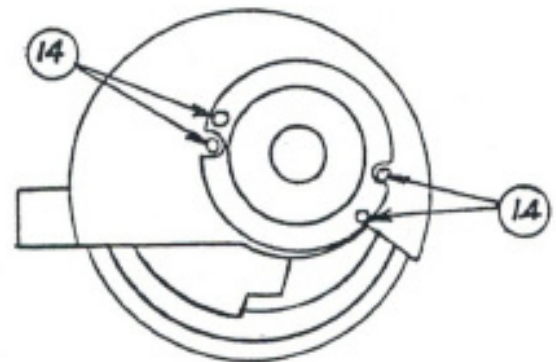
<u>TROUBLE</u>	<u>PROBABLE CAUSE</u>	<u>REMEDY</u>
Motor will not start	<ul style="list-style-type: none"> <li>- balls or other objects jammed inside inner drum</li> <li>- broken or damaged switch</li> </ul>	<ul style="list-style-type: none"> <li>- remove object</li> <li>-replace switch</li> </ul>
Motor overheats and clicks off after running a short time	<ul style="list-style-type: none"> <li>- too much water in tub</li> <li>- worn brush</li> <li>- worn bottom pin &amp; brush bushing</li> <li>- bent motor mount</li> <li>- bent motor shaft</li> <li>- extension cord too long</li> </ul>	<ul style="list-style-type: none"> <li>-keep water at overflow hole level</li> <li>- replace brush</li> <li>- replace bottom pin &amp; brush bushing</li> <li>- repair or replace</li> <li>- repair or replace</li> <li>- use closer to power outlet</li> </ul>
Balls do not enter inner drum	<ul style="list-style-type: none"> <li>- not enough water in tub</li> <li>- too much soap suds</li> <li>- foreign object or broken ball on bottom of tub</li> </ul>	<ul style="list-style-type: none"> <li>- fill to overflow hole</li> <li>- clean &amp; use low sudsing soap</li> <li>- remove object</li> </ul>
Balls jam inside inner drum	<ul style="list-style-type: none"> <li>- worn brush</li> <li>- broken inner step</li> <li>- broken ball inside inner drum</li> </ul>	<ul style="list-style-type: none"> <li>- replace brush</li> <li>- replace step</li> <li>- remove ball</li> </ul>
Excessive vibration, cotter pin shears	<ul style="list-style-type: none"> <li>- motor mount plate bent</li> <li>- motor shaft bent</li> <li>- lower brush bushing worn</li> <li>- bottom pin worn</li> <li>- rubber bushing worn</li> </ul>	<ul style="list-style-type: none"> <li>- repair or replace</li> <li>- repair or replace</li> <li>- replace bushing</li> <li>- replace pin</li> <li>- replace bushing</li> </ul>



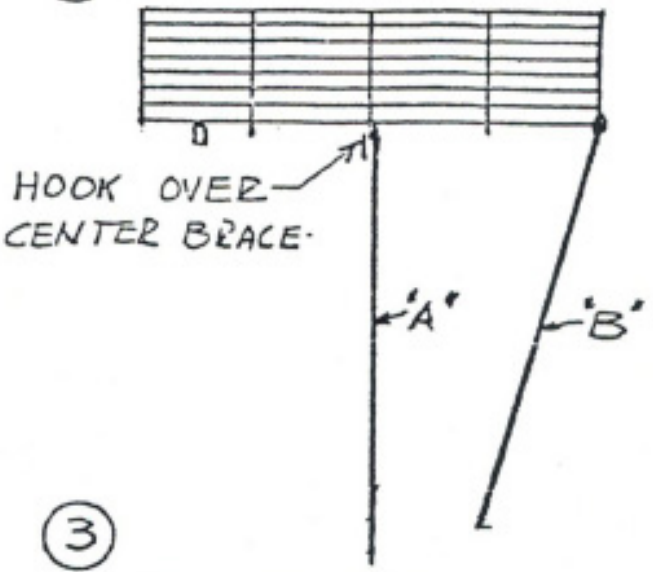


- SCRUB TUB PARTS LIST -

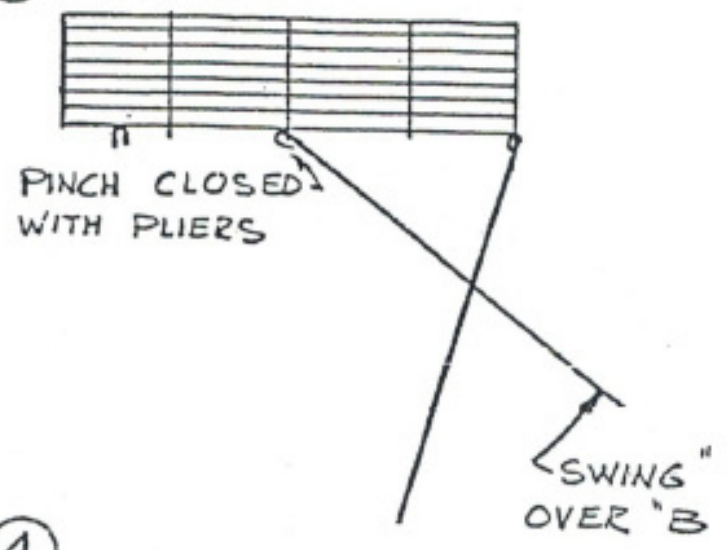
1	Motor Switch
2	Motor (complete)
3	Screw (2)
4	Motor Mount Plate
5	Cotter Pin
6	Rubber Bushing
7	Brush (complete)
8	Lower Brush Bushing
9	Top Cover
10	Inner Drum Assembly
11	Bottom Pin
12	Ring Plate
13	Tub
14	Bolts
15	Ball Loading Tray



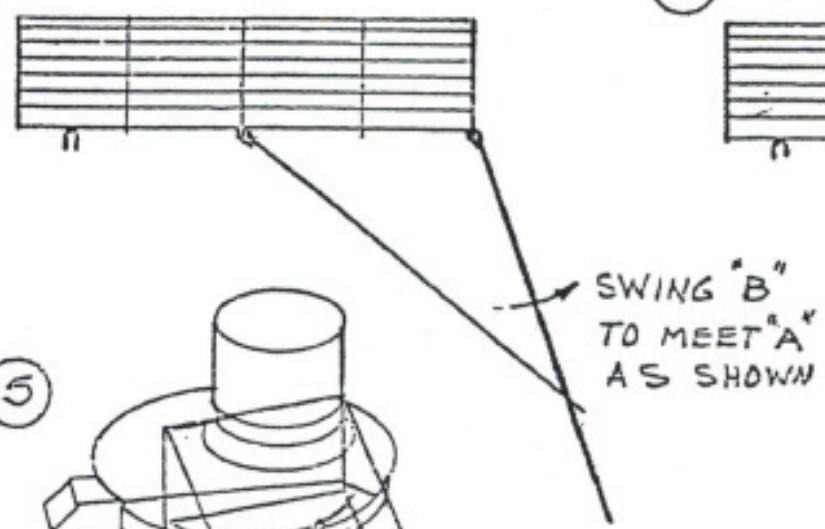
① PLACE BASKET  
SIDWAYS ON GROUND



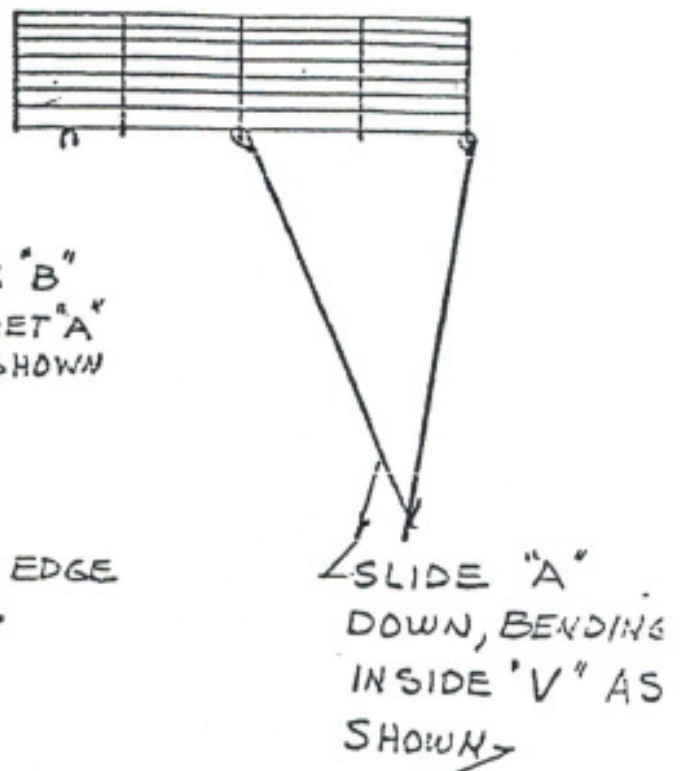
②



③



④



⑤

